

## ONYX

ONX110 / ONX213 / ONX116  
ONX216 / ONX157 / ONX169

Thank you for choosing MB Quart ONYX speakers for your car audio sound system. With proper installation, you are on the path to experiencing your music in a way you only imagined possible. Here at MB Quart, we call this "Sound In Every Detail."

The ONYX series speakers have been designed for the enthusiast looking for great sound and excellent performance. The ONYX series speakers feature the following:

- Black Mesh Grill
- High Energy Magnet
- Polypropylene Cone
- Woven Tinsel Leads
- Spade Style Speaker Terminals
- 30mm Widesphere Tweeter
- Crossover w/Variable Tweeter Attenuation
- Stamped Steel Basket



As with all high quality car audio products, we recommend professional installation by an authorized MB Quart dealer. Your dealers knowledge and experience can ensure a problem free and cosmetically integrated installation.

If you choose to install the speakers yourself, please read the entire manual very carefully.

## **SPEAKER LOCATION AND MOUNTING TIPS**

THE FIRST STEP IS THOROUGH PLANNING BEFORE THE INSTALLATION BEGINS. THE SPEAKER SCREW HOLE CONFIGURATION WILL WORK WITH MOST DOMESTIC AND FOREIGN VEHICLES. FOLLOW THESE INSTRUCTIONS CAREFULLY TO ENSURE PROPER IMAGING AND MAXXIMUM PERFORMANCE.

### *Factory Speaker Replacement Location and Installation*

1. Before you alter the vehicles interior materials, be sure there is adequate room and clearance for the speaker depth to clear the windows and other moving parts. (See speaker measurement page).
2. If you are using the speaker wires provided in this kit, be sure to route wires through the factory door grommet as shown in the speaker mounting diagram.
3. After securing the speaker and checking clearances, connect the red/black speaker audio wires to the correct speaker + and - spade terminals.

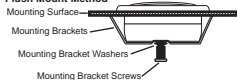
### *Custom Speaker Location and Installation*

1. Follow steps 1-3 above.
2. Use the speaker mounting diagrams and speaker hole cut-out dimensions on the following pages.
3. Always mount the left and right side speakers on the same plane. This means that each speaker should be the same height from the floor and same distance from the firewall. Do not mount one speaker higher, lower, further forward or further behind the other.

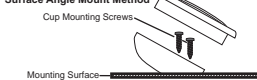
1

**Assembly options – tweeter**  
**Montagemöglichkeiten Hochtöner**  
**Possibilités de montage des aiguës**  
**Posibilidades de montaje del altavoz de agudos**  
**Istruzioni di montaggio di un altoparlante per alte frequenze**  
**Способы сборки высокочастотных репродукторов**

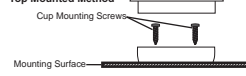
**Flush Mount Method**



**Surface Angle Mount Method**

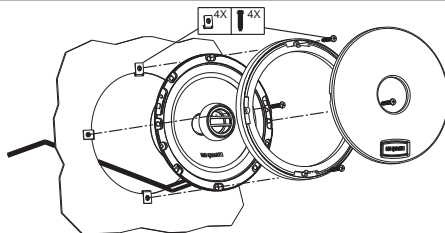


**Top Mounted Method**



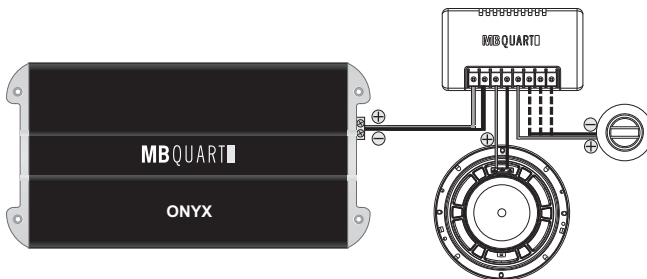
2

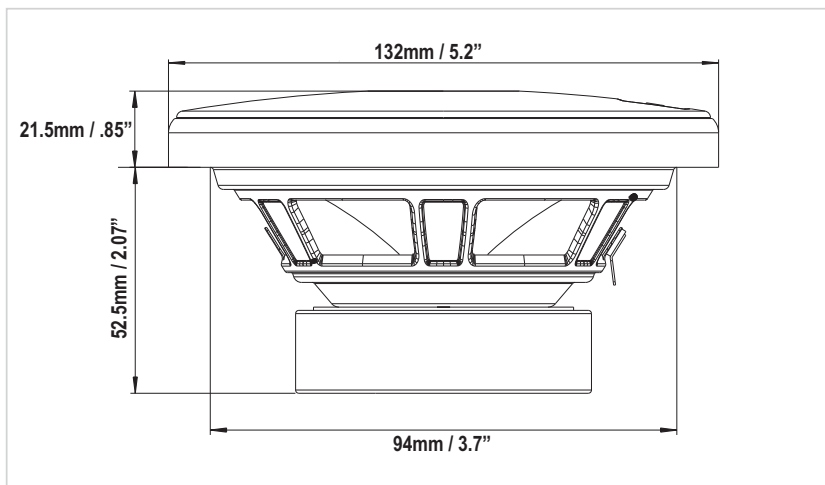
**Mounting instructions – woofer with mounting ring and grille**  
**Einbauhinweise Tieftöner mit Einbauring und Gitter**  
**Instructions de montage des graves avec anneau de encastrement grille**  
**Indicaciones de montaje del altavoz de graves con marco interior y rejilla**  
**Istruzioni di montaggio di un altoparlante per basse frequenze con l'impiego dell'anello adattatore e della rete di protezione**  
**Инструкция по сборке низкочастотных репродукторов с использованием монтажного кольца и защитно-декоративной сетки**



3

**Connecting instructions – crossover**  
**Anschlussinweise Frequenzweiche**  
**Consignes de branchement du filtrage de fréquence**  
**Indicaciones de conexión del diplexor**  
**Istruzioni di collegamento del filtro passivo**  
**Инструкция по подключению частотно-разделительного фильтра**




**TECHNICAL DATA**

Power Rating:	30 W RMS
Peak Power:	70 W max.
Impedance:	4 ohms
Sensitivity:	84 dB (1W/1m)
Frequency Response:	65 - 32,000 Hz

**COMPRISING:**

2 Titanium Coated Tweeters	30mm / 1.2"
2 Polypropylene woofers	101.6mm / 4"

**DATOS TÉCNICOS**

Carga admisible:	30 W RMS / 70 W max.
Impedancia:	4 ohmios
Potencia de servicio:	84 dB (1W/1m)
Campo de transmisión:	65 - 32,000 Hz

**EQUIPAMIENTO:**

2 piezas de titanio de 30mm para tonos agudos  
 2 piezas de polipropileno de 101.6mm para tonos graves

**TECHNISCHE DATEN**

Belastbarkeit:	30 W RMS
Impulsbelastbarkeit:	70 W max.
Impedanz:	4 ohms
Empfindlichkeit:	84 dB (1W/1m)
Übertragungsbereich:	65 - 32,000 Hz

**BESTÜCKUNG:**

2 Titanbeschichteter Hochtöner	30mm
2 Polypropylentieföner	101.6mm

**DATI TECNICI**

Potenza:	30 W RMS / 70 W max.
Impedenza:	4 ohm
Sensibilità:	84 dB (1W/1m)
Risposta in frequenza:	65 - 32,000 Hz

**DOTAZIONE:**

2 tweeter in titanio	30mm
2 woofer in polipropilene	101.6mm

**CARACTÉRISTIQUES TECHNIQUES**

Puissance:	30 W RMS / 70 W max.
Impédance:	4 ohm
Rendement:	84 dB (1W/1m)
Bande passante:	65 - 32,000 Hz

**EQUIPEMENT:**

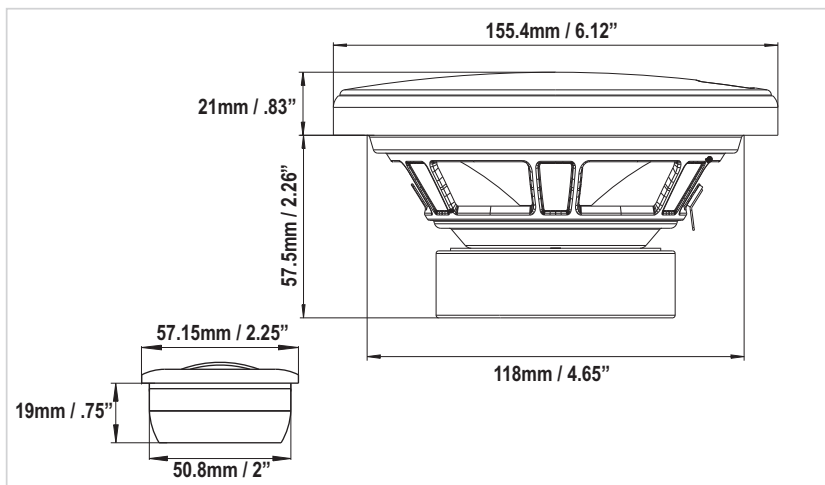
2 haut-parleurs d'aigus en titane	30mm
2 haut-parleurs de graves en polypropylène	101.6mm

**Технические Данные**

Нагрузочная способность:	30 Вт RMS / 70 Вт max.
Импеданс:	4 Ом
Рабочая мощность:	84 дБ (1Вт/1м)
Диапазон передач:	65 - 32,000 Гц

**Оснащение:**

2 титановых высокочастотных громкоговорителя	30мм
2 полипропиленовых низкочастотных громкоговорителя	101.6мм



## TECHNICAL DATA

Power Rating:	35 W RMS
Peak Power:	90 W max.
Impedance:	4 ohms
Sensitivity:	85 dB (1W/1m)
Frequency Response:	55 - 32,000 Hz

### COMPRIISING:

2 Titanium Coated Tweeters	30mm / 1.2"
2 Polypropylene woofers	133.4mm / 5.25"

## DATOS TÉCNICOS

Carga admisible:	35 W RMS / 90 W max.
Impedancia:	4 ohmios
Potencia de servicio:	85 dB (1W/1m)
Campo de transmisión:	55 - 32,000 Hz

### EQUIPAMIENTO:

2 piezas de titanio de 30mm para tonos agudos	
2 piezas de polipropileno de 133.4mm para tonos graves	

## TECHNISCHE DATEN

Belastbarkeit:	35 W RMS
Impulsbelastbarkeit:	90 W max.
Impedanz:	4 ohms
Empfindlichkeit:	85 dB (1W/1m)
Übertragungsbereich:	55 - 32.000 Hz

### BESTÜCKUNG:

2 Titanbeschichteter Hochtöner	30mm
2 Polypropylentieftöner	133.4mm

## DATI TECNICI

Potenza:	35 W RMS / 90 W max.
Impedenza:	4 ohm
Sensibilità:	85 dB (1W/1m)
Risposta in frequenza:	55 - 32,000 Hz

### DOTAZIONE:

2 tweeter in titanio	30mm
2 woofer in polipropilene	133.4mm

## CARACTÉRISTIQUES TECHNIQUES

Puissance:	35 W RMS / 90 W max.
Impédance:	4 ohm
Rendement:	85 dB (1W/1m)
Bande passante:	55 - 32,000 Hz

### EQUIPEMENT:

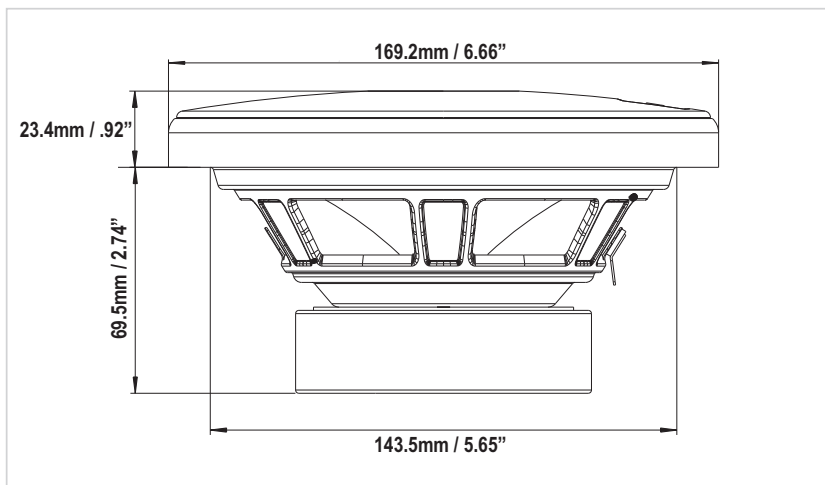
2 haut-parleurs d'aigus en titane	30mm
2 haut-parleurs de graves en polypropylène	133.4mm

## Технические Данные

Нагрузочная способность:	35 Вт RMS / 90 Вт max.
Импеданс:	4 Ом
Рабочая мощность:	85 дБ (1Вт/1м)
Диапазон передач:	55 - 32,000 Гц

### Оснащение:

2 титановых высокочастотных громкоговорителя	30мм
2 полипропиленовых низкочастотных громкоговорителя	133.4мм


**TECHNICAL DATA**

Power Rating:	50 W RMS
Peak Power:	120 W max.
Impedance:	4 ohms
Sensitivity:	89 dB (1W/1m)
Frequency Response:	40 - 32,000 Hz

**COMPRISING:**

2 Titanium Coated Tweeters	30mm / 1.2"
2 Polypropylene woofers	165.1mm / 6.5"

**DATOS TÉCNICOS**

Carga admisible:	50 W RMS / 120W max.
Impedancia:	4 ohmios
Potencia de servicio:	89 dB (1W/1m)
Campo de transmisión:	40 - 32,000 Hz

**EQUIPAMIENTO:**

2 piezas de titanio de 30mm para tonos agudos  
 2 piezas de polipropileno de 165.1mm para tonos graves

**TECHNISCHE DATEN**

Belastbarkeit:	50 W RMS
Impulsbelastbarkeit:	120 W max.
Impedanz:	4 ohms
Empfindlichkeit:	89 dB (1W/1m)
Übertragungsbereich:	40 - 32,000 Hz

**BESTÜCKUNG:**

2 Titanbeschichteter Hochtöner	30mm
2 Polypropylentieftöner	165.1mm

**DATI TECNICI**

Potenza:	50 W RMS / 120 W max.
Impedenza:	4 ohm
Sensibilità:	89 dB (1W/1m)
Risposta in frequenza:	40 - 32,000 Hz

**DOTAZIONE:**

2 tweeter in titanio	30mm
2 woofer in polipropilene	165.1mm

**CARACTÉRISTIQUES TECHNIQUES**

Puissance:	50 W RMS / 120 W max.
Impédance:	4 ohm
Rendement:	89 dB (1W/1m)
Bande passante:	40 - 32,000 Hz

**EQUIPEMENT:**

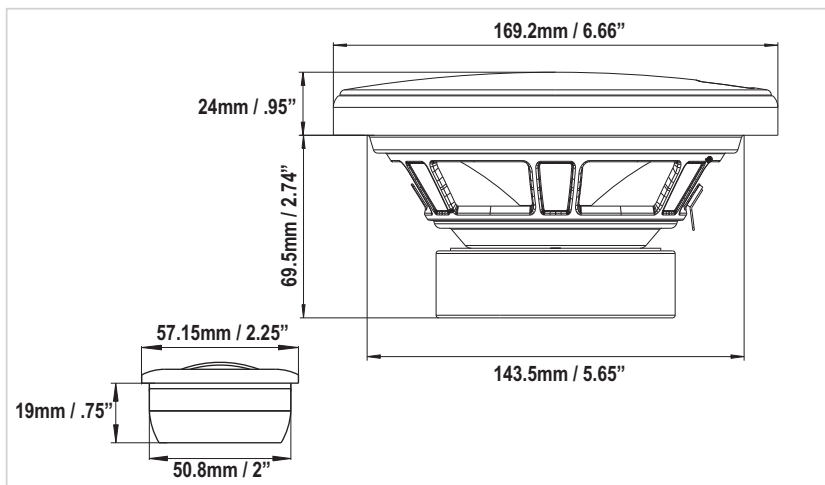
2 haut-parleurs d'aigus en titane	30mm
2 haut-parleurs de graves en polypropylène	165.1mm

**Технические Данные**

Нагрузочная способность:	50 Вт RMS / 120 Вт max.
Импеданс:	4 Ом
Рабочая мощность:	89 дБ (1Вт/1м)
Диапазон передач:	40 - 32,000 Гц

**Оснащение:**

2 титановых высокочастотных громкоговорителя	30мм
2 полипропиленовых низкочастотных громкоговорителя	165.1мм



## TECHNICAL DATA

Power Rating:	50 W RMS
Peak Power:	120 W max.
Impedance:	4 ohms
Sensitivity:	89 dB (1W/1m)
Frequency Response:	40 - 32,000 Hz

### COMPRIISING:

2 Titanium Coated Tweeters	30mm / 1.2"
2 Polypropylene woofers	165.1mm / 6.5"

## DATOS TÉCNICOS

Carga admisible:	50 W RMS / 120W max.
Impedancia:	4 ohmios
Potencia de servicio:	89 dB (1W/1m)
Campo de transmisión:	40 - 32,000 Hz

### EQUIPAMIENTO:

2 piezas de titanio de 30mm para tonos agudos  
2 piezas de polipropileno de 165.1mm para tonos graves

## TECHNISCHE DATEN

Belastbarkeit:	50 W RMS
Impulsbelastbarkeit:	120 W max.
Impedanz:	4 ohms
Empfindlichkeit:	89 dB (1W/1m)
Übertragungsbereich:	40 - 32.000 Hz

### BESTÜCKUNG:

2 Titanbeschichteter Hochtöner	30mm
2 Polypropylentieftöner	165.1mm

## DATI TECNICI

Potenza:	50 W RMS / 120 W max.
Impedenza:	4 ohm
Sensibilità:	89 dB (1W/1m)
Risposta in frequenza:	40 - 32,000 Hz

### DOTAZIONE:

2 tweeter in titanio	30mm
2 woofer in polipropilene	165.1mm

## CARACTÉRISTIQUES TECHNIQUES

Puissance:	50 W RMS / 120 W max.
Impédance:	4 ohm
Rendement:	89 dB (1W/1m)
Bande passante:	40 - 32,000 Hz

### EQUIPEMENT:

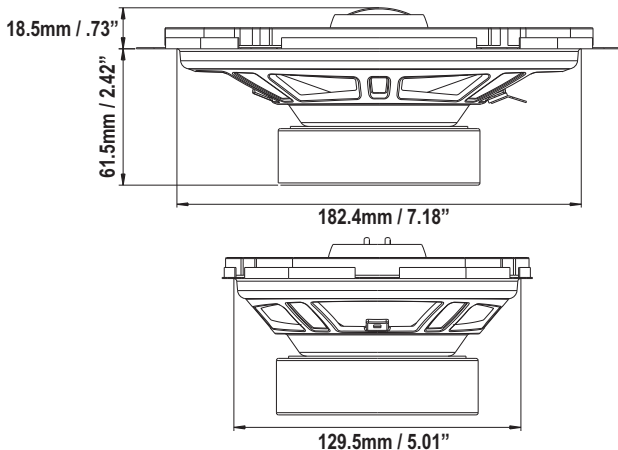
2 haut-parleurs d'aigus en titane	30mm
2 haut-parleurs de graves en polypropylène	165.1mm

## Технические Данные

Нагрузочная способность:	50 Вт RMS / 120 Вт max.
Импеданс:	4 Ом
Рабочая мощность:	89 дБ (1Вт/1м)
Диапазон передач:	40 - 32,000 Гц

### Оснащение:

2 титановых высокочастотных громкоговорителя	30мм
2 полипропиленовых низкочастотных громкоговорителя	165.1мм



#### TECHNICAL DATA

Power Rating:	50 W RMS
Peak Power:	120 W max.
Impedance:	4 ohms
Sensitivity:	90 dB (1W/1m)
Frequency Response:	40 - 32,000 Hz

#### COMPRISES:

2 Titanium Coated Tweeters	30mm / 1.2"
2 Polypropylene woofers	5" x 7" / 6" x 8" Oval

#### DATOS TÉCNICOS

Carga admisible:	50 W RMS / 120W max.
Impedancia:	4 ohmios
Potencia de servicio:	90 dB (1W/1m)
Campo de transmisión:	40 - 32,000 Hz

#### EQUIPAMIENTO:

2 piezas de titanio de 30mm para tonos agudos	
2 piezas de polipropileno de 5" x 7" / 6" x 8" Oval para tonos graves	

#### TECHNISCHE DATEN

Belastbarkeit:	50 W RMS
Impulsbelastbarkeit:	120 W max.
Impedanz:	4 ohms
Empfindlichkeit:	90 dB (1W/1m)
Übertragungsbereich:	40 - 32.000 Hz

#### BESTÜCKUNG:

2 Titanbeschichteter Hochtoner	30mm
2 Polypropylentieftöner	5" x 7" / 6" x 8" Oval

#### DATI TECNICI

Potenza:	50 W RMS / 120 W max.
Impedenza:	4 ohm
Sensibilità:	90dB (1W/1m)
Risposta in frequenza:	40 - 32,000 Hz

#### DOTAZIONE:

2 tweeter in titanio	30mm
2 woofer in polipropilene	5" x 7" / 6" x 8" Oval

#### CARACTÉRISTIQUES TECHNIQUES

Puissance:	50 W RMS / 120 W max.
Impédance:	4 ohm
Rendement:	90 dB (1W/1m)
Bande passante:	40 - 32,000 Hz

#### EQUIPEMENT:

2 haut-parleurs d'aigus en titane	30mm
2 haut-parleurs de graves en polypropylène	5" x 7" / 6" x 8" Oval

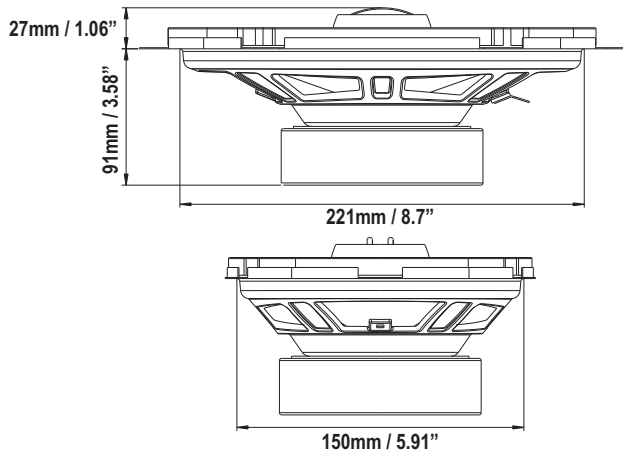
#### Технические Данные

Нагрузочная способность:	50 Вт RMS / 120 Вт max.
Импеданс:	4 ом
Рабочая мощность:	90 дБ (1Вт/1м)
Диапазон передачи:	40 - 32,000 Гц

#### Оснащение:

2 титановых высокочастотных громкоговорителя	30мм
2 полипропиленовых низкочастотных громкоговорителя	5" x 7" / 6" x 8" Oval





## TECHNICAL DATA

Power Rating:	60 W RMS
Peak Power:	140 W max.
Impedance:	4 ohms
Sensitivity:	91 dB (1W/1m)
Frequency Response:	35 - 32,000 Hz

### COMPRISES:

4 Titanium Coated Tweeters	30mm / 1.2"
2 Polypropylene woofers	6" x 9" Oval

## DATOS TÉCNICOS

Carga admisible:	60 W RMS / 140W max.
Impedancia:	4 ohmios
Potencia de servicio:	91 dB (1W/1m)
Campo de transmisión:	35 - 32,000 Hz

### EQUIPAMIENTO:

4 piezas de titanio de 30mm para tonos agudos  
2 piezas de polipropileno de 6" x 9" Oval para tonos graves

## TECHNISCHE DATEN

Belastbarkeit:	60 W RMS
Impulsbelastbarkeit:	140 W max.
Impedanz:	4 ohms
Empfindlichkeit:	91 dB (1W/1m)
Übertragungsbereich:	35 - 32.000 Hz

### BESTÜCKUNG:

4 Titanbeschichteter Hochtöner	30mm
2 Polypropylentieftöner	6" x 9" Oval

## DATI TECNICI

Potenza:	60 W RMS / 140 W max.
Impedenza:	4 ohm
Sensibilità:	91 dB (1W/1m)
Risposta in frequenza:	35 - 32,000 Hz

### DOTAZIONE:

4 tweeter in titanio	30mm
2 woofer in polipropilene	6" x 9" Oval

## CARACTÉRISTIQUES TECHNIQUES

Puissance:	60 W RMS / 140 W max.
Impédance:	4 ohm
Rendement:	91 dB (1W/1m)
Bande passante:	35 - 32,000 Hz

### EQUIPEMENT:

4 haut-parleurs d'aigus en titane	30mm
2 haut-parleurs de graves en polypropylène	6" x 9" Oval

## Технические Данные

Нагрузочная способность:	60 Вт RMS / 140 Вт max.
Импеданс:	4 Ом
Рабочая мощность:	91 дБ (1Вт/1м)
Диапазон передачи:	35 - 32,000 Гц

### Обнащение:

4 титановых высокочастотных громкоговорителя	30мм
2 полипропиленовых низкочастотных громкоговорителя	6" x 9" Oval

MAXXSONICS USA, INC.  
1290 Ensell Road  
Lake Zurich, Illinois 60047 USA  
E-Mail info@maxxsonics.com  
Website www.maxxsonics.com  
www.mbquart.com



## ONYX

ONX110 / ONX213 / ONX116  
ONX216 / ONX157 / ONX169

### WARRANTY

As the manufacturer of MB QUART car audio products, Maxxsonics USA Inc. warrants to the original consumer purchaser of the product to be free from defects in material and workmanship for one(1) year from the date of purchase.

This product meets the current EU minimum warranty requirements, if purchased in countries of the EU.

To ensure your warranty policy, keep your original receipt proving date of purchase.

All other parts and accessories sold with this product are warranted to be free from defects in materials and workmanship for one(1) year from the date of purchase. Maxxsonics will repair or replace at it's option and free of charge during the warranty period, any system component that proves defective in materials and workmanship under normal installation, use and service provided that the product is returned to the authorized MB QUART dealer from where it was purchased.

A photo copy of the original receipt must accompany the product being returned. In the absence of the above, the warranty is one(1) year from the date of manufacture.

#### **There is no warranty for Unauthorized Internet Sales.**

Any damage to the product as a result of misuse, abuse, accident, incorrect wiring, improper installation, alteration of the date code or bar code labels, revolution, natural disaster, or any sneaky stuff because someone messed up, repair or alteration outside of our factory or Authorized Service Centers and anything else you have done that you should not have done is NOT covered.

This warranty is limited to defective parts and specifically excludes any incidental damages connected therewith. This warranty is not construed as an insurance policy.

Warranty on installation labor, removal, re-installation and freight charges are not the responsibility of Maxxsonics USA Inc.

**Check out our videos of new products,  
events and technical tutorials at  
[www.youtube.com/maxxsonicsusainc](http://www.youtube.com/maxxsonicsusainc)**

